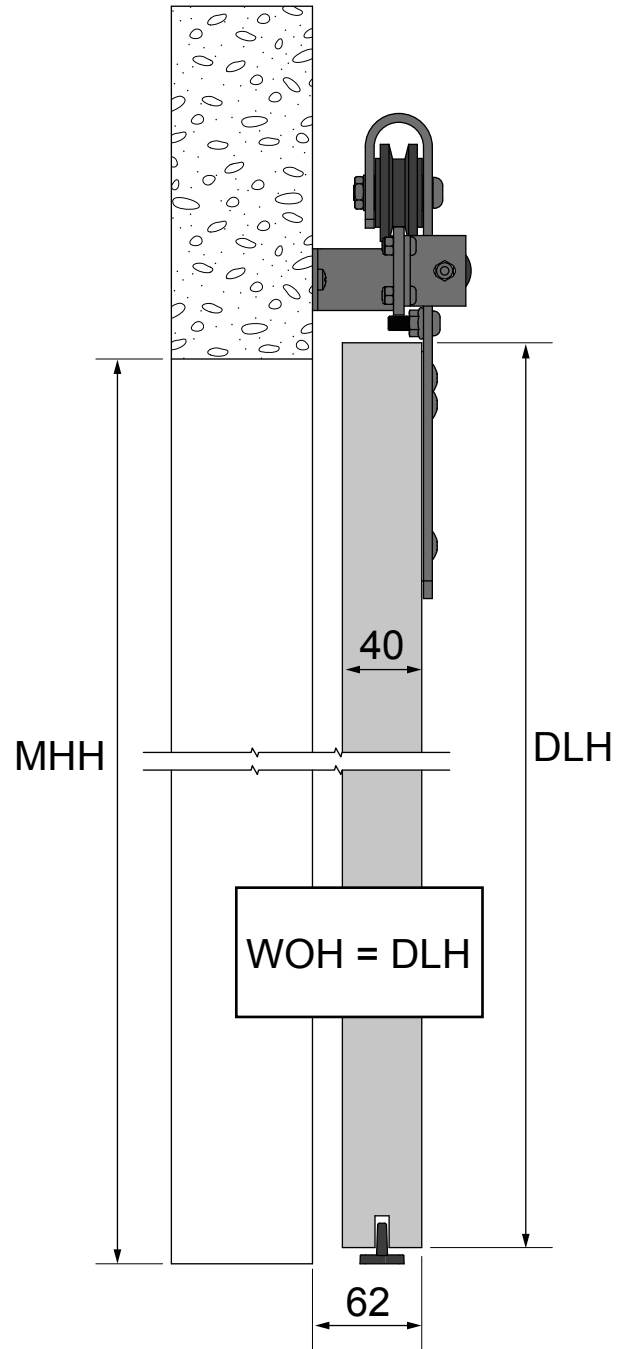
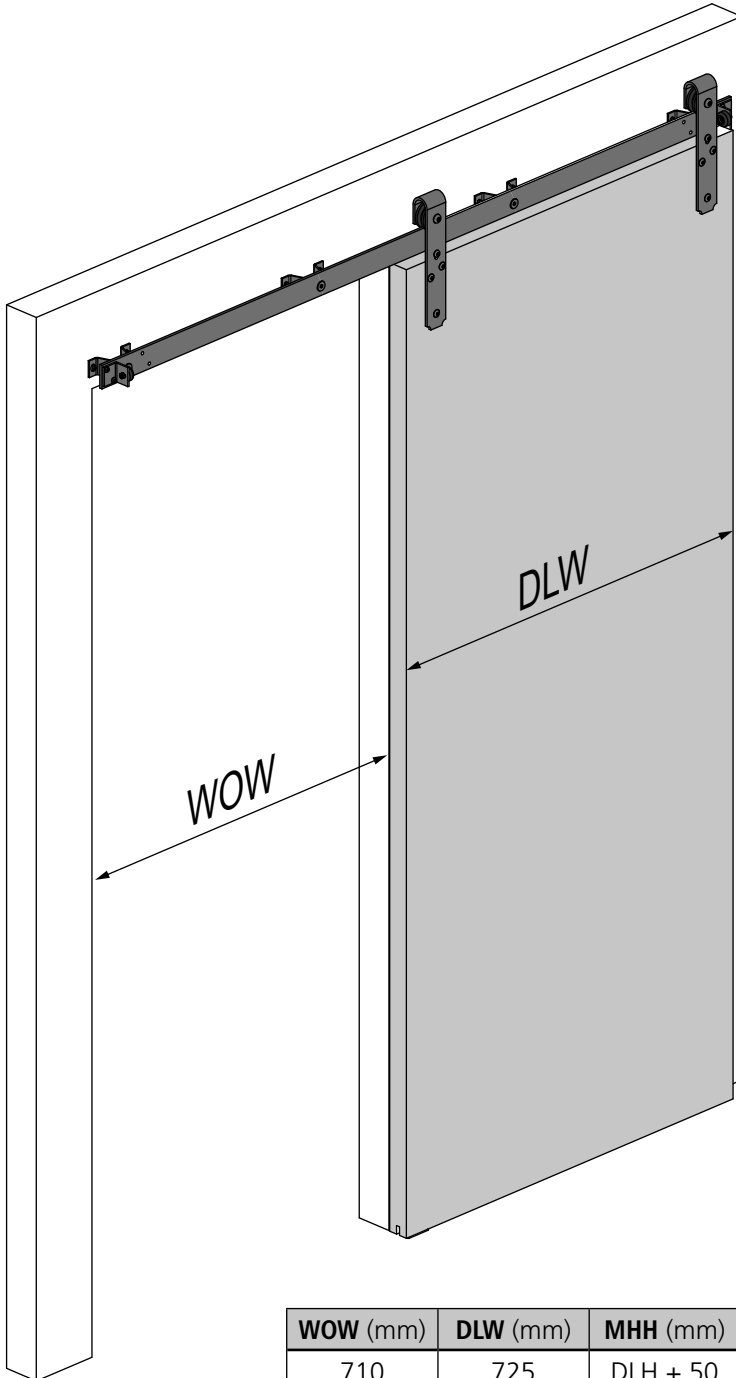




DLH	Door leaf height
DLW	Door leaf width
WOH	Wall opening height (finished height)
WOW	Wall opening width (finished width)
MHH	Mounting hole height (from finished floor surface)
RL	Rail length

80 KG
MAXI

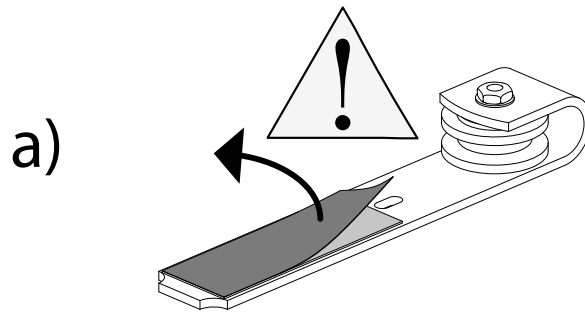
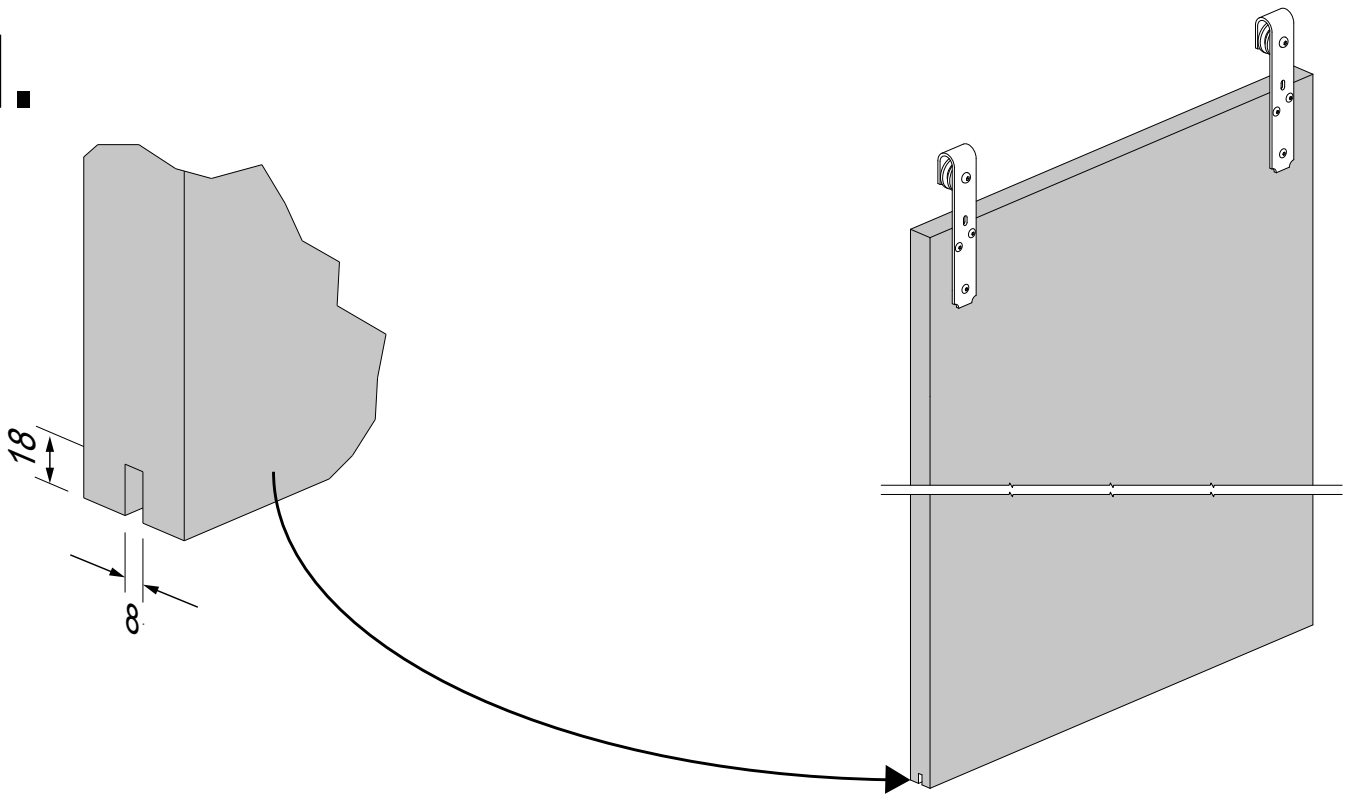
PORTE D'INTÉRIEUR
 INNENTÜR
 INTERIOR DOOR
 PUERTA DE INTERIOR



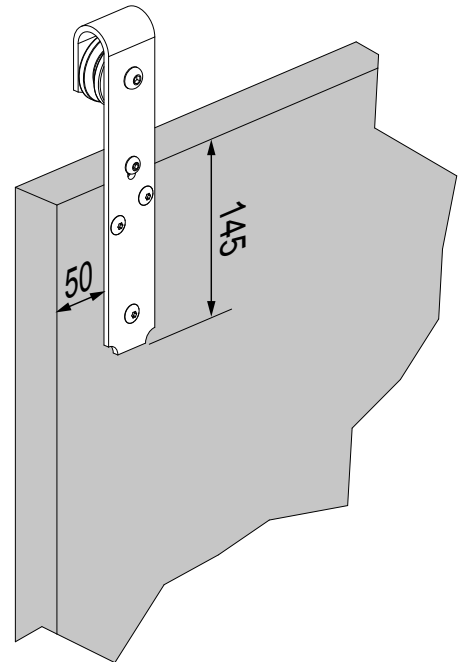
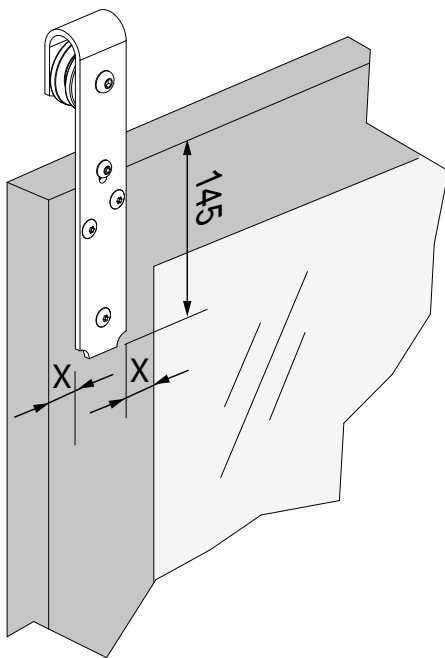
WOW (mm)	DLW (mm)	MHH (mm)
710	725	DLH + 50
810	825	DLH + 50
910	925	DLH + 50
1010	1025	DLH + 50



1.

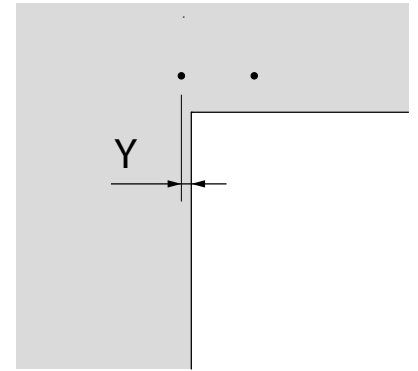
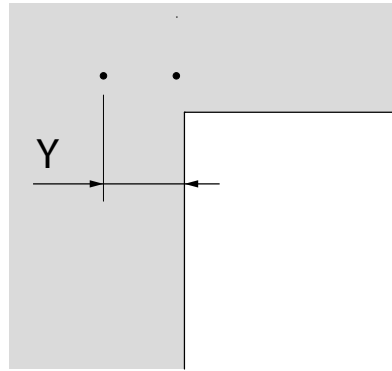


b)



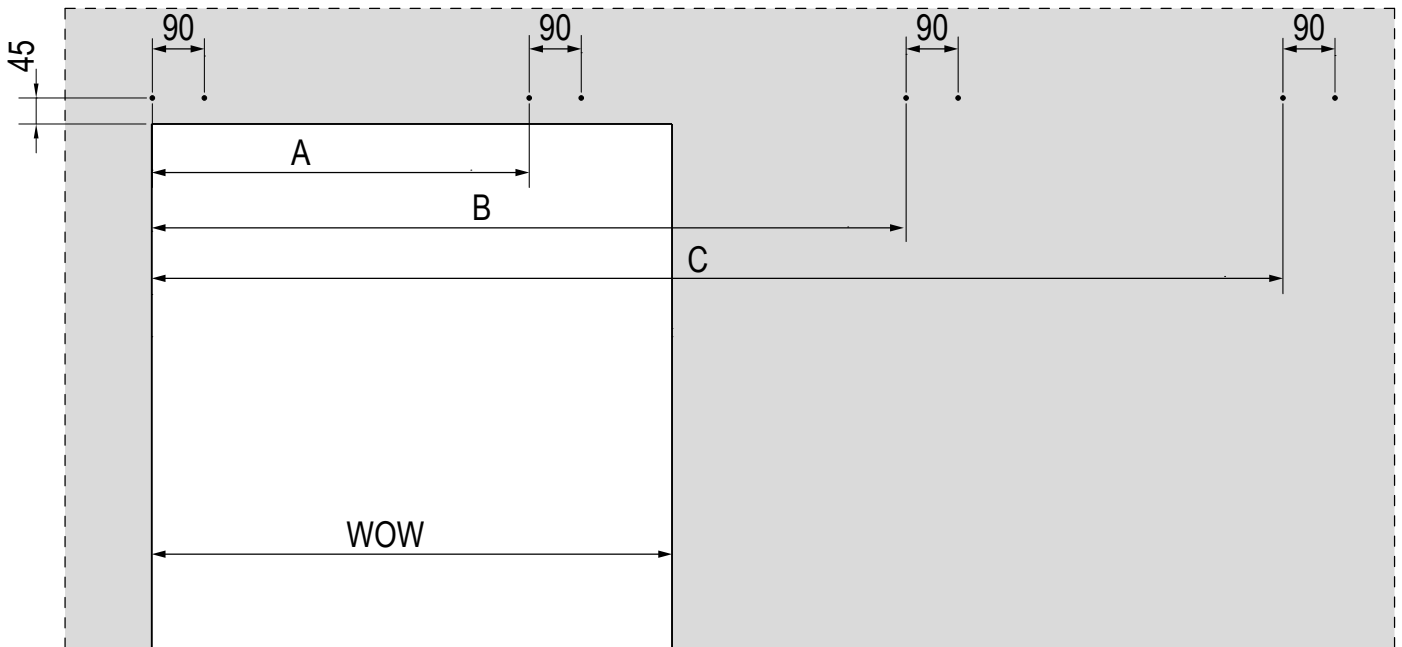
2.

WOW (mm)	DLW (mm)
710	$Y = X + 67$
910	
810	$Y = X - 33$
1010	



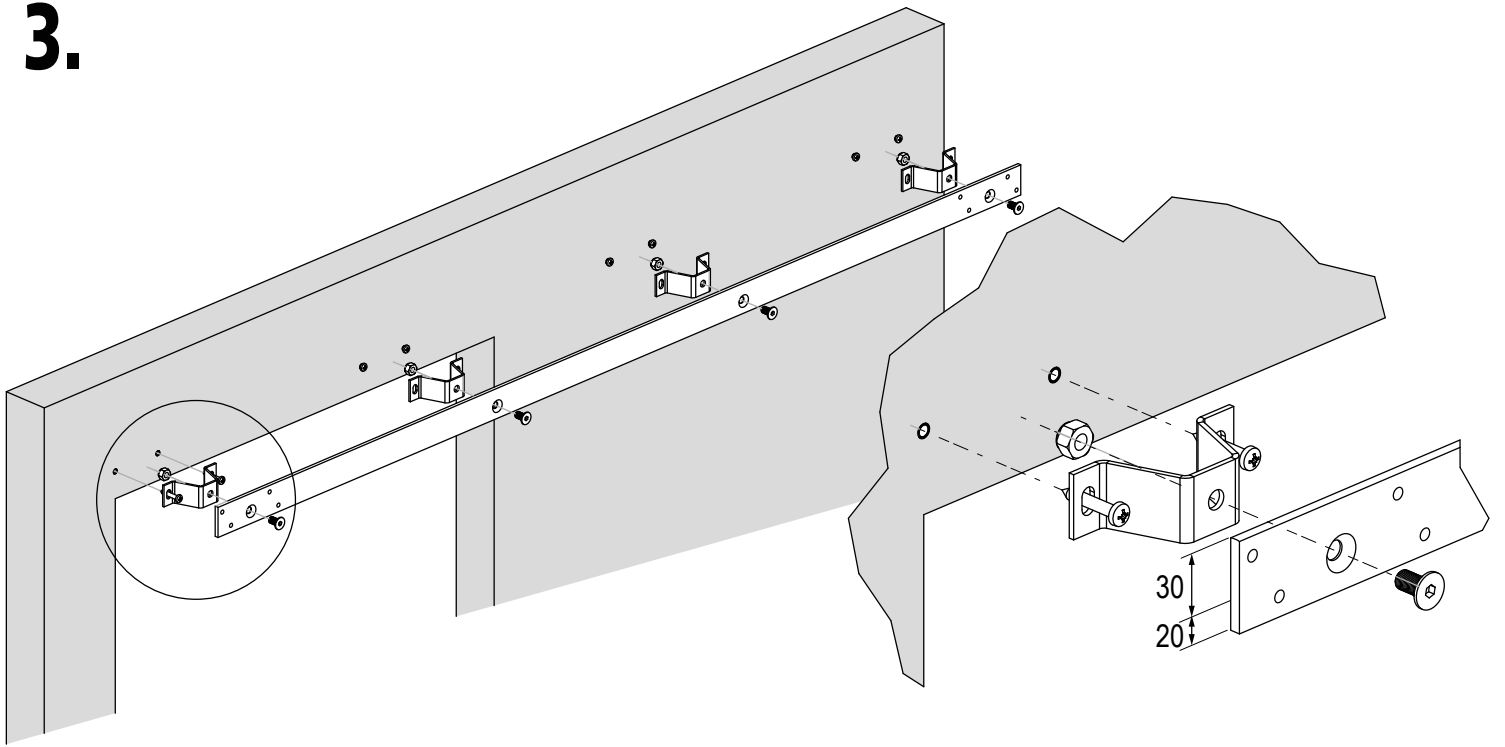
WOW = 710
WOW = 910

WOW = 810
WOW = 1010
($X < 33 \rightarrow Y < 0$)

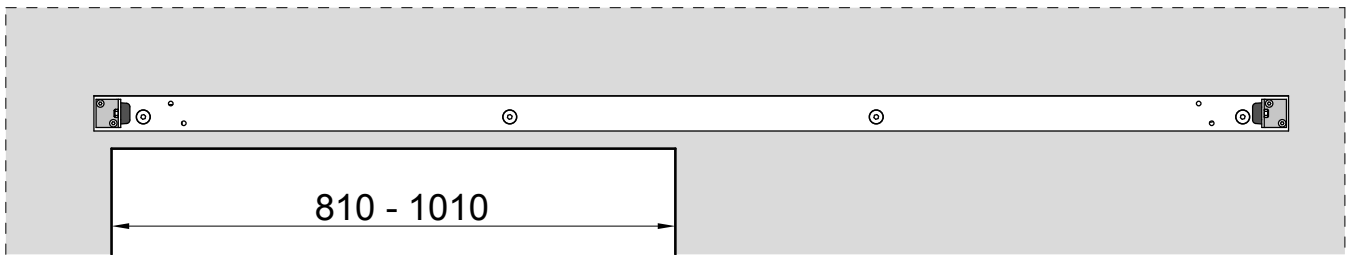
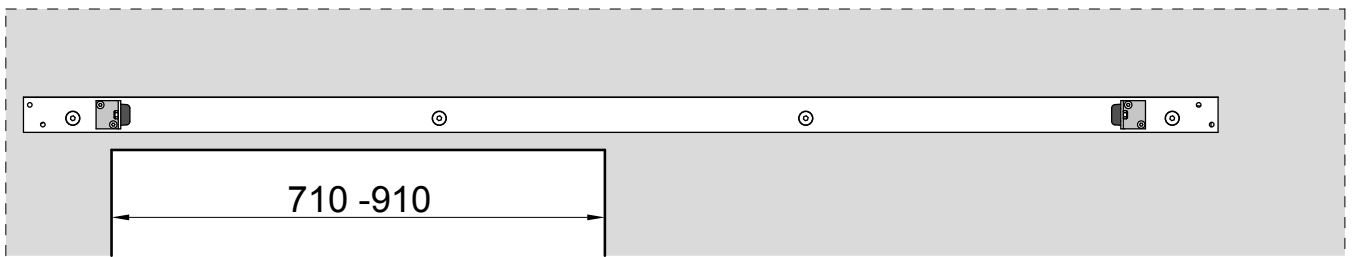
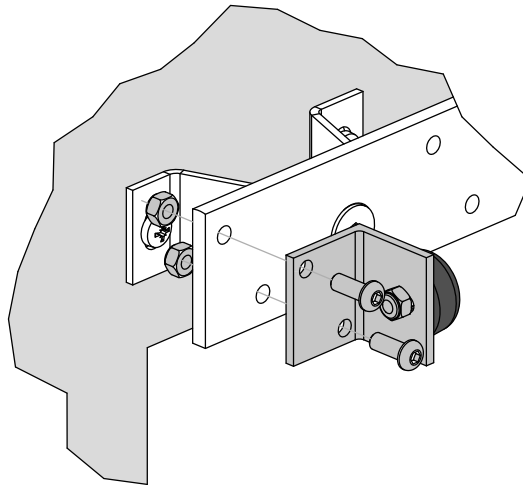


WOW (mm)	RL (mm)	A (mm)	B (mm)	C (mm)
710	1695	520	1040	1560
910	1695	520	1040	1560
810	2095	652	1304	1956
1010	2095	652	1304	1956

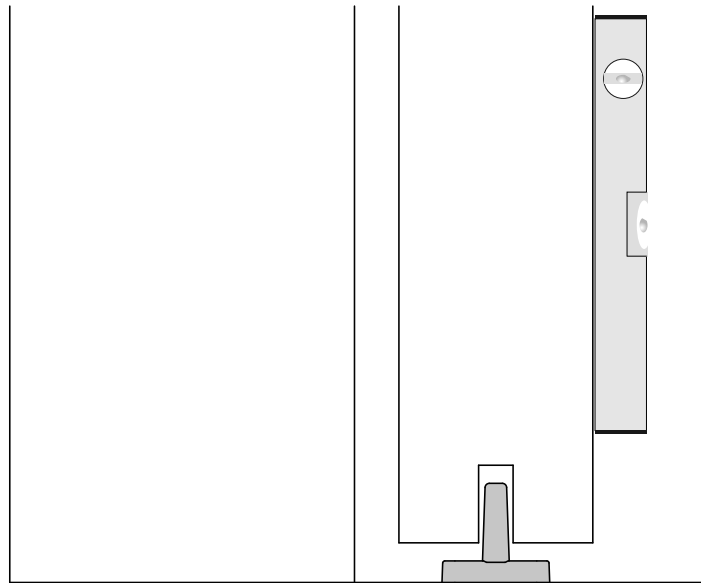
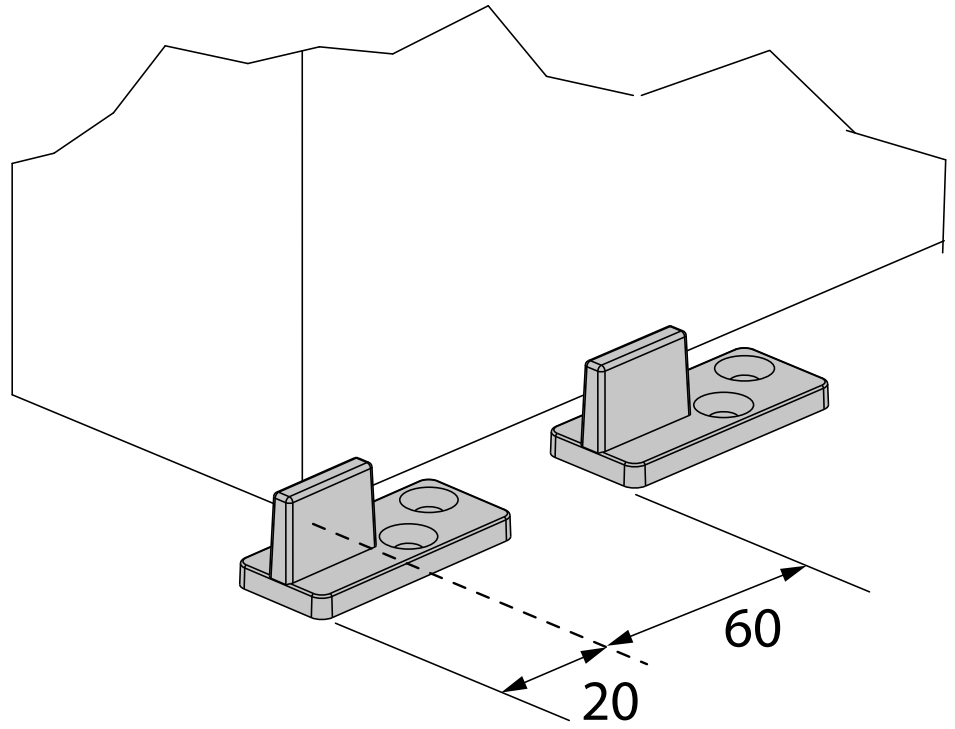
3.



4.



5.



6.

